

---

Please ensure all tradesman working on or around the installation have consulted these instructions and understand how to maintain the waterproofing integrity

---



---

### Installation Overview

These instructions assume the wetroom has been appropriately designed and all plumbing and electrical work is to building regulations. These instructions will cover the most typical level floor installations on suspended timber or solid concrete floors. For raised floor areas the instructions can be applied where appropriate.

The Maxxus is a load bearing deck which can sustain a load of 470kgs over 400mm joist centres without deflection and as such require no under boarding.

### Installation on Concrete Floors

Installing inset into concrete,

The area beneath the deck must be cut and chiseled out to accommodate the deck, drain and waste pipe.

For final fitting fully bed the deck down on tile adhesive ensuring the deck is level then allow to fully dry.

Pilot drill the deck and screw down.

Ensure there is no movement and the deck is level.

Installing on Top of Concrete,

A cavity and channel must be chiseled out to accommodate the drain and waste pipe.

If the floor is not level the deck may be bedded down on tile adhesive, adjusted to level then allowed to dry.

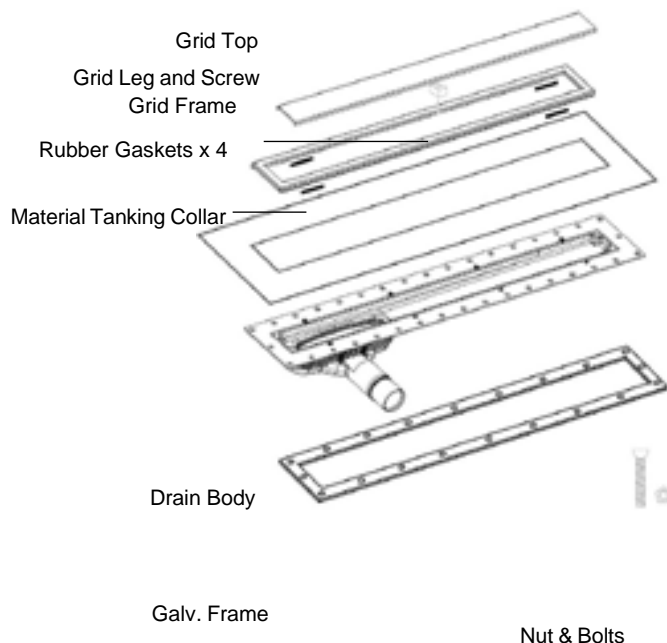
Pilot and screw the deck down.

Ensure there is no movement, and the deck is level.

## Installing the Purus Living Linear Drain - Micro Cement

The Purus Living Linear box contains some components that are not required for installation into the Maxxus Linear Deck. The only components required are as per the diagram.

Waste connections can be made in the following ways: Access from the underneath. Connecting a short length of pipe to the trap to enable final connection outside the deck area.

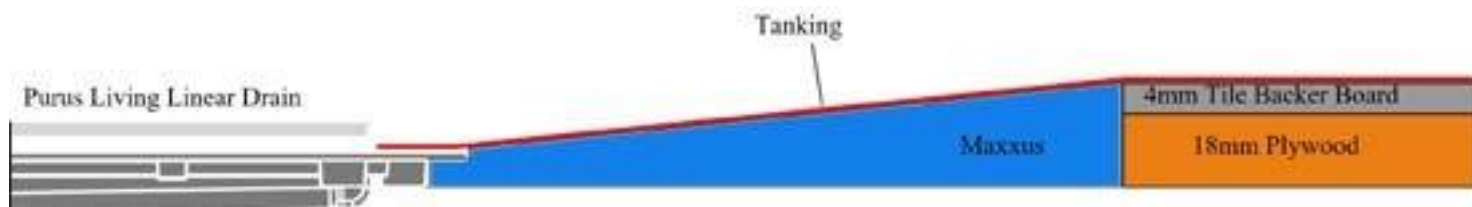


The drain body is set into the rebate from the top of the Maxxus (the side with the slopes). The drain body is fixed into position using the clamping frame on the underside of the Maxxus and bolted through. The bolts provided should be spaced out evenly around the drain body. Pilot drill the holes through the drain body and Maxxus deck and bolt through. Do not use power tools and do not over tighten.

Depending how the deck is installed the floor may need to be levelled to the same height as the deck, this may be done using plywood or screed.

Please consult your tanking instructions before proceeding. If using the Innovations paint on wetroom tanking system - The white drain collar is laid over the top of the drain and tanked in between two coats of the tanking.

The rest of the installation should also be tanked appropriately. The Maxxus should be abraded using sandpaper to provide a "key" for proper adhesion of the tanking system.



### **Do not remove the protective film until the micro cement has been laid**

1. Install the drain into the tray/floor and tank as required.
2. Push the 4 x Rubber gaskets on to the grid Frame.
3. Press fit grid frame centrally into drain body.
4. Check grid frame is seated on drain body correctly.
5. Lay micro cement.
6. Remove protective film from grid frame.
7. Remove any excess residue using a non-abrasive cloth and hot soapy water.
8. Discard white plastic packer.
9. Screw grid leg into bottom of grid top.
10. Insert grid top into the drain, grid top will only fit in one orientation, if movement occurs, turn the grid around.

