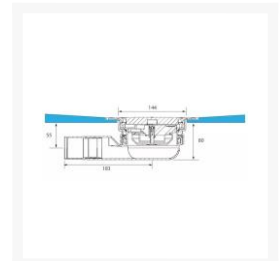
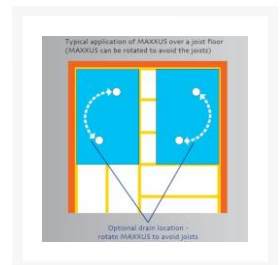
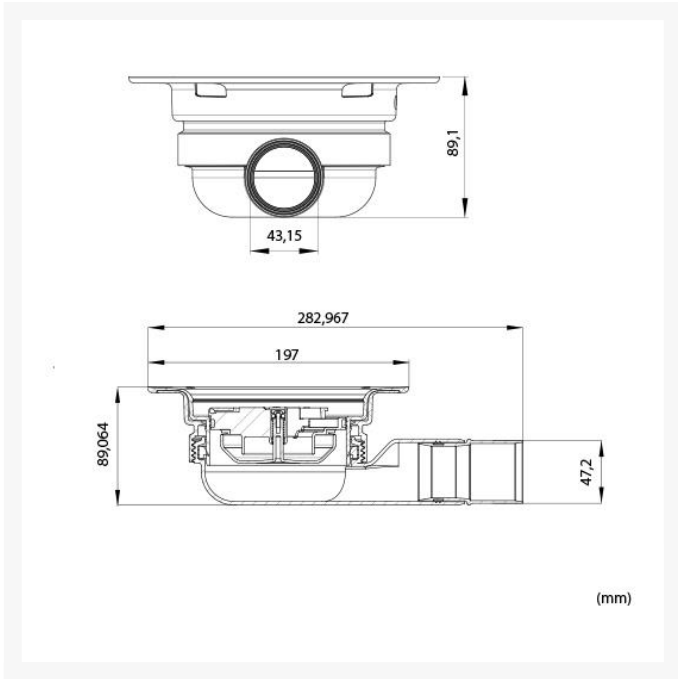


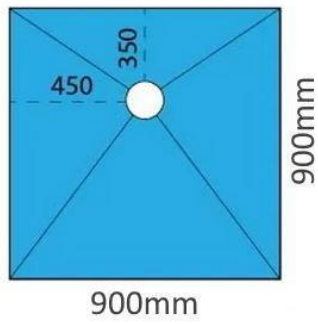
Wet Room Floor Former, Purus 2-part Waste - Choice of Size & Grid for Micro Cement / Resin Floors





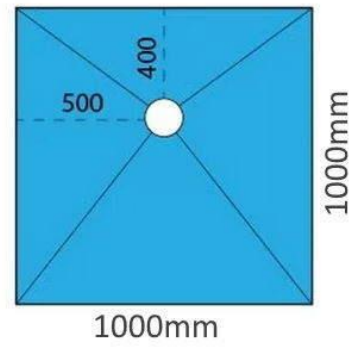
MC934

900 x 900 x 22mm



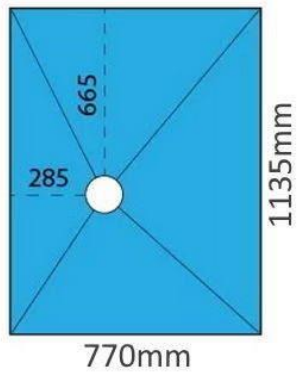
MC930

1000 x 1000 x 22mm



MC931

1135 x 770 x 22mm



Product Options

Floor Former Size (mm)

900x900

1000x1000

1135x770

1200x800

1200x900

1200x1200

1300x800

1400x900

1450x1150

1500x800

1650x900

1800x800

Description

Key Benefits

Microcement or Resin Floor Finishes
Suitable for timber and concrete floors
Strong and durable base yet only 22mm thick
Vacuum formed GRP
Made from 50% recycled materials and is 100% recyclable
Solid right through - no pockets or hollow cavities
Creates a level access floor with no step
Built in gradients for water removal to the waste
Accepts 470kg (75 stone) loading over 400mm joist centres
Self-supporting - no requirement for additional support underneath
May be trimmed down to any size Purus 2-part
Minimax waste, projects only 80mm below

Installation

Totally flat underside and recessed screw holes allow for easy fixing Simple rotate to place the drain hole in the ideal position. No release agents to inhibit bonding of the microcement or resin floor finishes.

Purus Minimax 2-part waste

Gravity or Pumped - Horizontal wet floor waste gulley with NOOD (no-odour) water trap

The Minimax waste projects only 80mm below

Maxxus deck Spring loaded Nood no-odour trap 47 Litres/minute flow rate

The 130mm dia. plastic grid is replaced by the microcement grid

Choice of Grid for microcement or resin floors.

Manufactured from high grade anodised aluminium - Black or Grey finishes

Or brushed stainless steel

Creates a 3mm upstand

Grid can be flipped for microcement insert or normal grid finish

Designed and manufactured by Wetroom Innovations Ltd